

### FEATURES

#### General

- Low power HDMI/DVI transmitter ideal for portable applications
- CEC controller and expanded message buffer (3 messages) reduce system overhead
- HDMI v.1.4a features supported
- 3D video
- Extended colorimetry
- Compatible with DVI v.1.0
- Optional embedded HDCP keys to support HDCP 1.3
- 1.8 V supplies for ultralow operating power
- Video/audio inputs accept logic levels from 1.8 V to 3.3 V

#### Digital video

- 150 MHz operation supports all video and graphics resolutions from 480i to 1080p
- Programmable 2-way color space converter
- Supports RGB, YCbCr, DDR
- Supports ITU656-based embedded syncs
- Automatic input video format timing detection (CEA-861E)

#### Digital audio

- Supports standard SPDIF for stereo LPCM or compressed audio up to 192 kHz
- 8-channel uncompressed LPCM I<sup>2</sup>S audio up to 192 kHz

#### Special features for easy system design

- On-chip MPU with I<sup>2</sup>C master to perform EDID reading and HDCP operations; reports HDMI events through interrupts and registers
- 5 V tolerant I<sup>2</sup>C and HPD I/Os, no extra device needed
- No audio master clock needed for supporting SPDIF and I<sup>2</sup>S
- Compatible with AD9394 HDMI companion chip
- 5 V generator for Hot Plug detect in portable applications

### APPLICATIONS

- Cellular handsets
- Digital video cameras
- Digital still cameras
- Personal media players
- Gaming
- DVD players and recorders
- Digital set-top boxes
- HDMI repeater

### FUNCTIONAL BLOCK DIAGRAM

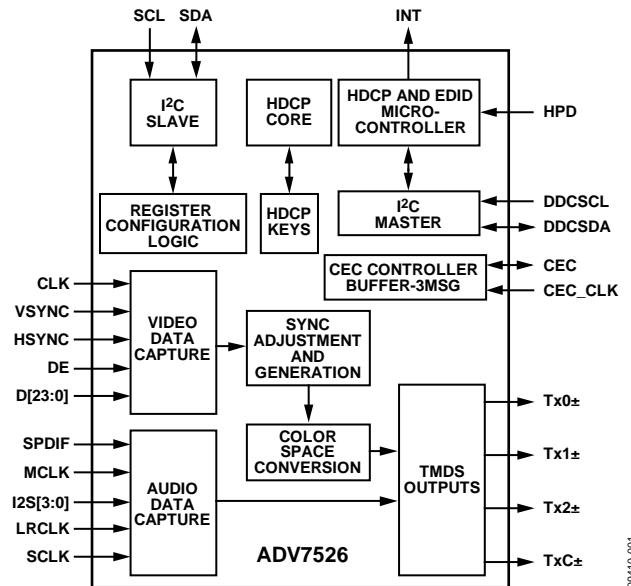


Figure 1.

### GENERAL DESCRIPTION

The ADV7526 is a 150 MHz, high definition multimedia interface (HDMI<sup>®</sup>) transmitter with expanded CEC buffer. It supports HDTV formats up to 1080p and computer graphic resolutions up to SXGA at 75 Hz.

With the inclusion of embedded HDCP keys, the ADV7526 allows the secure transmission of protected content, as specified by the HDCP 1.3 protocol.

The ADV7526 supports both SPDIF and 8-channel I<sup>2</sup>S audio. Its high fidelity 8-channel I<sup>2</sup>S can transmit stereo up to a 192 kHz sampling rate. The SPDIF can carry stereo LPCM audio or compressed audio, including Dolby<sup>®</sup> Digital and DTS<sup>®</sup>.

The ADV7526 helps to reduce system design complexity and cost by incorporating such features as an I<sup>2</sup>C master for EDID reading and 5 V tolerance on the I<sup>2</sup>C and Hot Plug<sup>™</sup> detect pins.

Fabricated in an advanced CMOS process, the ADV7526 is available in a space-saving, 64-ball, WLCSP surface-mount package. This package is RoHS compliant and specified to operate from -25°C to +85°C.

For more information on the ADV7526, contact Analog Devices, Inc., at [ATV\\_VideoTx\\_Apps@analog.com](mailto:ATV_VideoTx_Apps@analog.com).

#### Rev. Sp0

Information furnished by Analog Devices is believed to be accurate and reliable. However, no responsibility is assumed by Analog Devices for its use, nor for any infringements of patents or other rights of third parties that may result from its use. Specifications subject to change without notice. No license is granted by implication or otherwise under any patent or patent rights of Analog Devices. Trademarks and registered trademarks are the property of their respective owners.

**NOTES**

I<sup>2</sup>C refers to a communications protocol originally developed by Philips Semiconductors (now NXP Semiconductors).

HDMI, the HDMI Logo, and High-Definition Multimedia Interface are trademarks or registered trademarks of HDMI Licensing LLC in the United States and other countries.